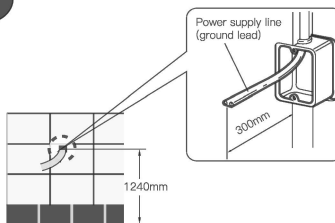


## Installation Method

**1**

### Connect the wire

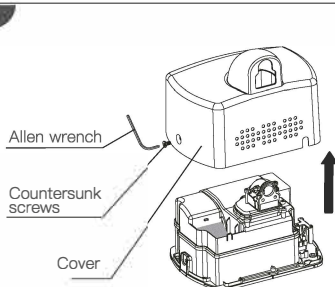
- When installing a unit without a terminal box, you should install above the right side of the dryer. With the distance being 20–50cm.
- Please ensure the terminal box is securely enclosed in the unit and not wired externally.



**2**

### Cover Removal

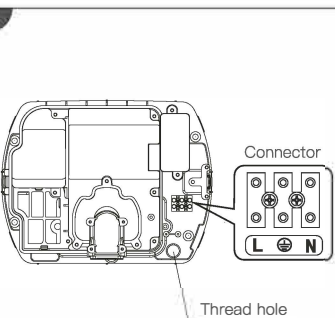
- Using the allen key from the accessories bag included, remove the 2 countersunk screws from units outer cover.
- Pull the cover upwards to remove.



**3**

### Unit installation

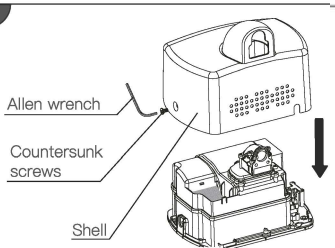
- As figure 3 demonstrates, the unit should be fixed to the wall by the screws provided. The unit is equipped with a power cord. If needing terminal box for installation, the power cord must be removed. As the figure shows, connect wire through thread hole to terminal box appropriately.
- When connecting, the wire length should exceed 2cm to terminal block. Fire line must be connected at L position of terminal blocks, null line connected at N position, earth line connected at Ⓧ.



**4**

### Outer Cover Re-installation

- Tighten the 2 countersunk screws on the cover.



## Test Run

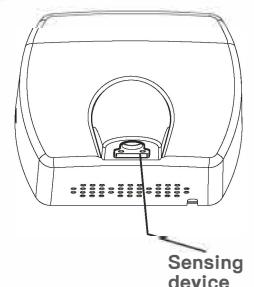
	Steps	Confirm information	Check & Notice
1	Once the unit has been firmly fixed to the wall, ensure there is no movement or vibration.	The unit is installed firmly without any movement.	There will be noticeable movement/vibrations, causing excessive noise.
2	Confirm the power and voltage	Please use the rated voltage	If the power use is incorrect, it will cause an electrical surge, or the unit to burn out.
3	Switch on the power	Close external power supply switch or insert the power plugs	The power socket must be compatible with the unit's plug. Should it not be compatible, the sensor light will display dim.
4	Place your hands underneath the drying to activate drying.	The motor will be activated and the air will blow out	Should the drying not activate, ensure your hands are close enough to the dryer for the sensor to detect motion.

## Daily Use and Maintenance

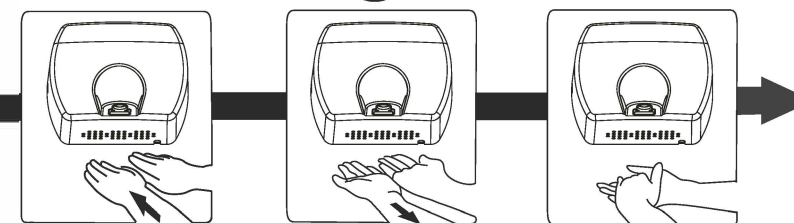
**1**

### External Maintenance

- Clean with a soft dry cloth or towel. Please use neutral detergent. Please do not use organic solvents, toilet cleaners, or harsh cleaning brushes.
- This can lead to damage and/or discoloration to the unit's surface and finish.



**2**



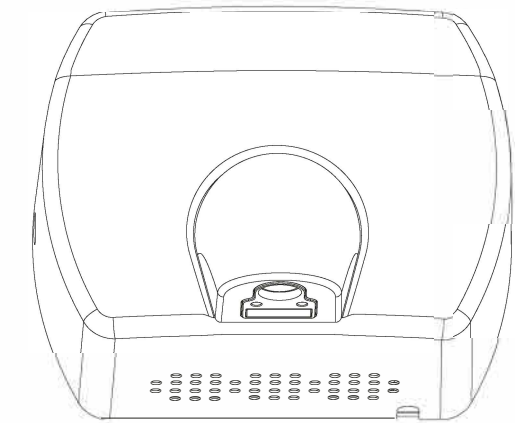
Place your hands palm-side down and slowly move your hands backwards and forwards.

Place your hands palm-side up and slowly move your hands backwards and forwards.

Rub your hands together until completely dry.

# Elerillo Stainless Steel Hand Dryer | 2243

# User Manual



Unit 9 Stort Valley Industrial Estate,  
Bishop's Stortford, Hertfordshire, CM23  
2TU  
E-mail: [info@handydryers.co.uk](mailto:info@handydryers.co.uk)  
Tel: 01279 466500  
Website: [www.handydryers.co.uk](http://www.handydryers.co.uk)

## Technical Specifications

Rated Voltage	AC220~240V	Motor	Brush Motor
Phase	Single-phase	Sensing Distance	15~20cm
Input Power	1150~1350W	Waterproof	IPX1
Air Speed	64m/s	Dimensions	270x210x200mm
Heating Power	650~750W	N.W	3.4kg

## WARNING

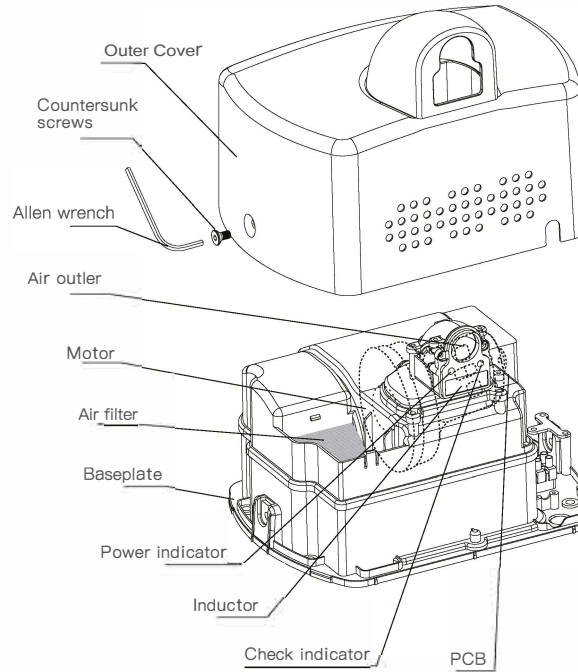
**Warning** If you don't use this unit properly or follow the safety guidelines carefully, it would lead to serious personal injury or property damage.

	<ul style="list-style-type: none"> <li>Do not let children improperly operate or misuse the unit.</li> <li>Do not open the front panel, as this may cause an electrical shock risk.</li> </ul>
	<ul style="list-style-type: none"> <li>Do not splash or spray water/liquids in front of the unit. As it may cause an electric shock risk. The IP13 rating means that it must be at least 60cm away from a bath, sink, shower or water source.</li> </ul>
	<ul style="list-style-type: none"> <li>Do not use in a wet environment, where water may get directly into the unit or where condensation may form. The unit is likely to malfunction in damp conditions.</li> </ul>
	<ul style="list-style-type: none"> <li>Do not disassemble the unit. Disassembly may cause a fire and electric shock hazard, or cause the unit to malfunction.</li> </ul>
	<ul style="list-style-type: none"> <li>Read the instruction manual carefully before using the unit.</li> <li>If used in combination with other appliances, it may cause abnormal heat in the shunt outlet.</li> <li>Power must be turned <b>off</b> during maintenance to prevent the risk of electric shock. Air filter must be installed.</li> <li>If the unit doesn't work or appears faulty, please turn off power to prevent accidents; close the leakage circuit breaker and ask supplier to check and repair, as this may cause a fire hazard due to an electricity leakage and short circuit.</li> <li>Unit must have reliable ground connection.</li> <li>Attention when installing: Do not install when the unit is connected to a power source.</li> </ul>
	<ul style="list-style-type: none"> <li>This appliance is not intended for use by persons (including children) with reduced physical, sensory or mental capabilities, or lack of experience and knowledge, unless they have been given supervision or instructions concerning the safe use of the appliance by a qualified and experienced person.</li> <li>Children shall not play with the appliance. Cleaning and user maintenance shall not be made by children without supervision.</li> <li>If the cord is damaged, it must be replaced by the manufacturer, its service agent or similarly qualified persons in order to avoid a hazard.</li> <li>For additional protection, the installation of a residual current device (RCD) having a rated residual operating current not exceeding 30mA is advisable in the electrical circuit supplying the bathroom. Ask your installer for advice.</li> </ul>

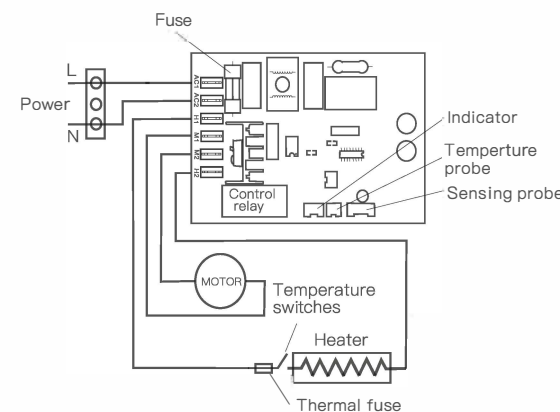


- Environmental protection  
Waste electrical products should not be disposed of with household waste.  
Please recycle where facilities exist.  
Check with your local authority or retailer for recycling advice.

## Parts List



## Electrical Diagram



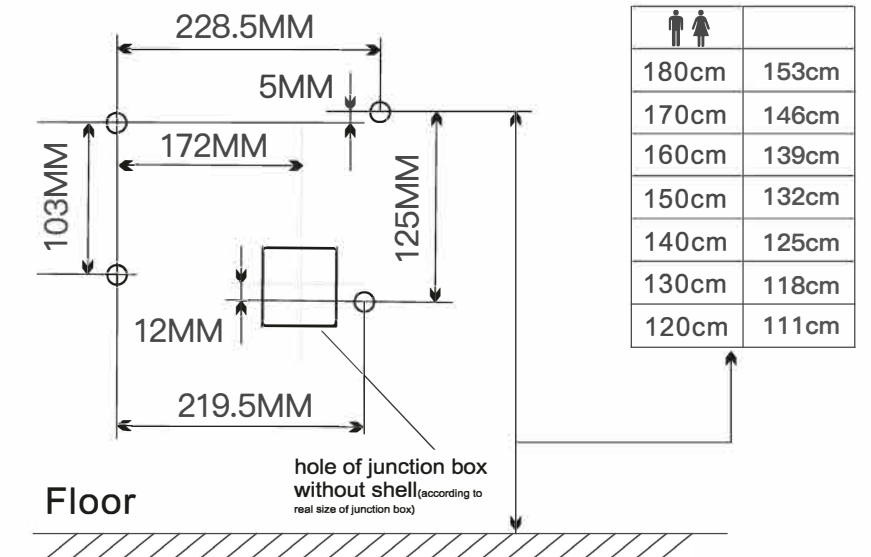
## Precautions before Installation

■ **DO NOT** install in the following places:

- Place with temperature below  $-10\text{ }^{\circ}\text{C}$  or over  $40\text{ }^{\circ}\text{C}$
- Place next to a water source
- Place in direct sunlight or strong light
- An area prone to condensation
- An area filled with corrosive, oxidizing and reducing gas
- A location with an altitude over the range of  $0\text{ } \sim 2000\text{m}$

■ Installation location

- The following picture shows the recommended location for installation. (The distance between the unit and the floor or any obstacles should be a minimum of 400mm.)
- Keep the right side of unit away from mirror or wall. (The distance should be 100mm above.)
- Please avoid installing the unit close to any doorways, fire exists or areas in which people are likely to congregate.
- Please select flat wall to install this product.



• Power cord should be  $1.0\text{mm}^2\text{--}1.5\text{mm}^2$